

Abrasion Bending

By solving the problem with material abrasion in pneumatic transport systems for powder and granulate has always been a big/huge problem when the result had to satisfy all user demands. We provide abrasion bending that can be used in different industrial applications where pneumatic transport is an important subject, as in building, food and plastic industry to name a few.



Description

Abrasion bending is a pipe bending with a short radius that is being mounted in pneumatic transport systems. The bending is cast in one-piece in polymeric. Its special geometry allows the change of direction on the transportable material with a minimum abrasion because of the dead zone where the material is deflected/being bend.

Function

The bending has an innovative geometry that can reduce the abrasion during operation in all types of low-pressure pneumatic transport systems up to 1,5 bars. The hole room in the house generates a material turbulence which protects the bending from abrasion from the material that is being transported through the system.

Service/output & Technical details – Benefits/Advantage

- House molded in polymer
- Available for export to granules and fine powders with abrasive and low or medium (pH 4 - 10) values, as well as for food
- Also available for granules and fine powders with abrasive and chemically very aggressive properties
- PN - model connecting flanges
- Higher abrasion resistance than traditionally pipe bending in normal or stainless steel
- Flexible
- Lightweight



K.S.M. Kragelund ApS

Bøgballevej 19 • 8723 Løsning
Tlf. + 45 76 75 89 50

E-mail: info@kolsters.dk • www.kolsters.dk

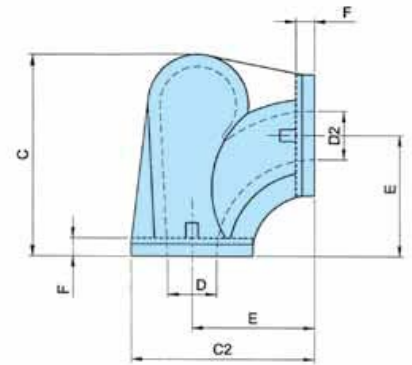
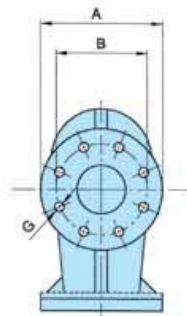


- Low noise level
- Simple disposal
- Minimal space requirements
- No risk for clogging
- No product mixture
- No risk for mechanical or biochemically decomposition of the product
- Big reduction in pressure loss

Options & Accesories

- Connecting pipes
- Food version (FDA approved)
- Security Clamp

Dimensions



Ø Piping Rohrleitung Tuyauterie Linea di trasporto	A	B	C	C2	Ø D	Ø D2	E	F	Ø G	Flange Drillings Flanschbohrungen Perçage brides Fori flange	kg
2"	165	125	232	220	55	52	140	23	18	4	2
3"	200	160	330	300	85	80	200	30	18	4	5
4"	220	180	435	373	108	105	263	30	18	8	7



K.S.M. Kragelund ApS

Bøgballevej 19 • 8723 Løsning
Tlf.+ 45 76 75 89 50

E-mail: info@kolsters.dk • www.kolsters.dk

