

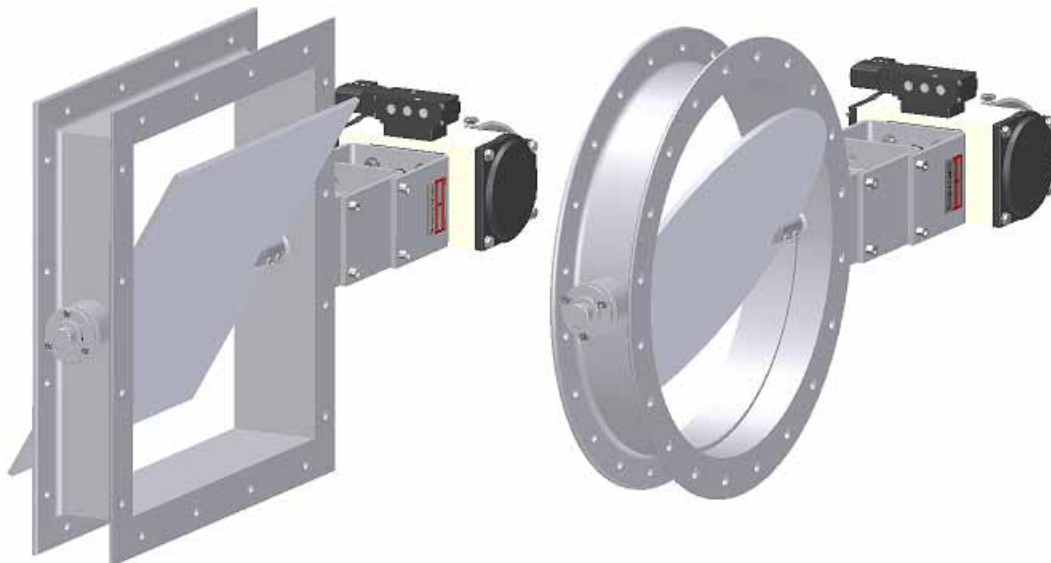
# Quality Damper

**Inexpensive quality damper, model DSVK in round, square or rectangular design.**

Kolster Hesa-tek A/S continues to launch the competitive series of Danish produced flue gas damper that has shown to be the answer to the needs of the industry of an inexpensive revolving damper for both regulation and barricade/barrier purposes. The appellation is DSVK and is being sold in an optimized version of the revolving damper. The damper series is built on many years of experience with flue gas dampers which makes the concept meets the industry's demands on a good inexpensive revolving damper.

The sizes ranges from DN 200 to DN 1000 for square and rectangular dampers from 200 x 200 mm to 1200 x 1200 mm with a 50 mm leap in either shaft direction (b) and/or in height (h). The dampers are dimensioned using a 3-dimensionally computer-based analysis program and construction wise from 300°C and 5000 Pa. The dampers are built over a flattened UNP-profile or a welded frame. This gives a solid and strong/powerful construction under all operating conditions. The frame and the flange therefore stay dimensionally stable even at high temperatures and pressure conditions.

The dampers are delivered as standard in material S235. Dampers for other pressure, temperature and in other dimensions and material can be delivered as a special design or from the rest of our program for revolving dampers.



*The basis model is here shown with build-on heat isolating clutch, condensation isolating consoles, impact, air actuator with limit switch boxes.*

To achieve high flexibility the damper series is built in module so that from the basis version there can be built dampers that meets the asked requirements. The drive console is made with holes according to ISO 5211 (F05, F07 and F10). This makes it possible to mount most drives on the market.

## Basis version:

- 1) Differential pressure max. 5000 Pa
- 2) Temperature max 300°C
- 3) Flange holes for more than DN 350, after DIN 28031 and with a hole diameter  $\varnothing$ 13mm.
- 4) Material S235 JRG2

## Additional modules:

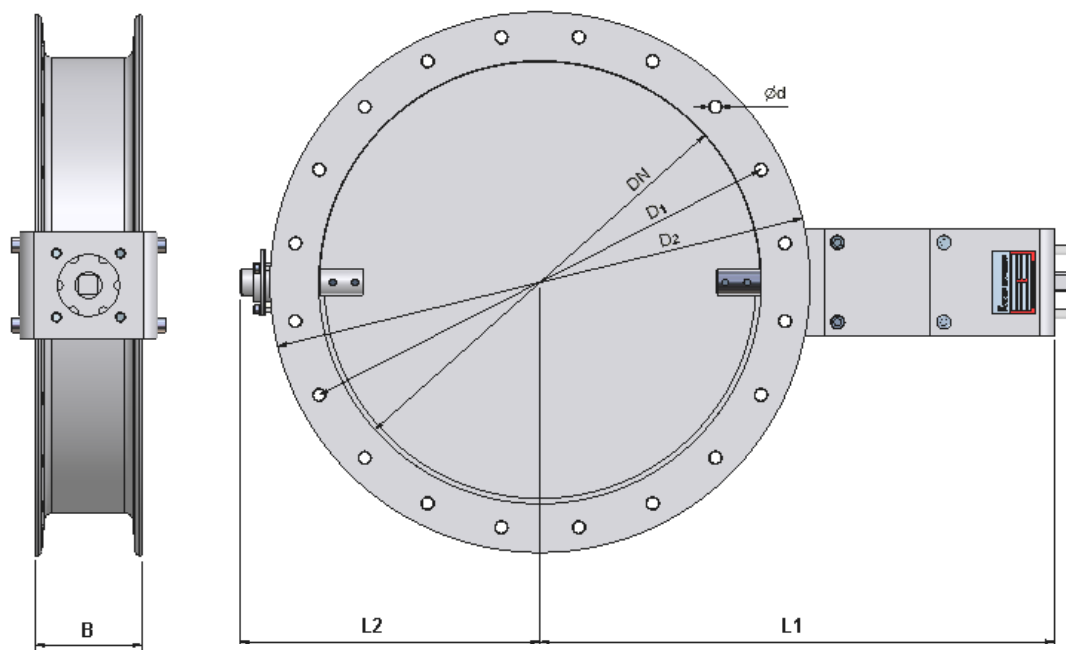
- |  |   |
|--|---|
| <ol style="list-style-type: none"><li>1) Impact <math>\geq</math> 99,5 % denseness, external 100 %</li><li>2) Soft impact up to 99,9 % denseness, external 100 %</li><li>3) Heat isolation clutch.</li><li>4) Condensation isolation.</li><li>5) Extended spherical heat resistant specialist.</li><li>6) Integrated spherical heat-resistant bearing bush.</li><li>7) Locking device, fuse for malfunction.</li><li>8) Locking device, fuse for fault control.</li><li>9) Mounted with air actuator, electric gear or manual operation.</li></ol> | <ol style="list-style-type: none"><li>10) Solenoid valve (24 VDC or 230 VAC).</li><li>11) Throttle filter fitting on exhaust air for speed control.</li><li>12) End stop box, mechanical or inductive contacts.</li><li>13) Flanges in flat or angular steel.</li><li>14) Primer</li><li>15) Painting of visible parts - std. matte black</li><li>16) Consoles galvanized (drive shaft and clutch cold galvanized.)</li></ol> |
|--|---|



**Kolster Hesa-tek A/S**  
Bøgballevej 19 • 8723 Løsning  
Tlf.: 76 75 89 50 • Fax: 76 75 89 51  
e-mail: [info@khtek.dk](mailto:info@khtek.dk) • [www.khtek.dk](http://www.khtek.dk)



## Price and size chart, type DSVK, circular



The basic size is shown here with a superstructure for a heating coupling.  
(L1) Depending on add-on modules.

Dimension for basic version in mm superstructure for a heating coupling							
DN	D1	D2	ød	Amount	L1	L2	B
200	250	273	ø11	8	435	195	120
250	310	330	ø11	10	460	220	120
300	360	380	ø11	12	485	245	120
350	390	416	ø11	12	510	264	120
400	470	500	ø13	16	521	279	100
450	520	550	ø13	16	546	304	100
500	560	610	ø13	20	581	339	120
550	610	660	ø13	20	606	364	120
600	660	710	ø13	24	631	389	120
650	710	760	ø13	24	656	414	120
700	760	810	ø13	28	681	439	120
750	810	860	ø13	28	706	464	120
800	860	910	ø13	32	731	489	120
850	910	970	ø13	32	756	514	140
900	960	1020	ø13	36	781	539	140
950	1010	1070	ø13	36	806	564	140
1000	1060	1120	ø13	40	831	589	140

Basic version
Price DKr.
5.655,-
5.700,-
5.755,-
5.810,-
5.845,-
5.965,-
6.300,-
6.455,-
6.600,-
6.785,-
6.975,-
7.300,-
7.506,-
8.295,-
8.540,-
8.850,-
9.125,-

Prices are valid until the end of 2009, net, ex-factory.  
Delivery time down to 3 working weeks, directly from our production.

Contact Kolster Hesa-tek A / S for further information.

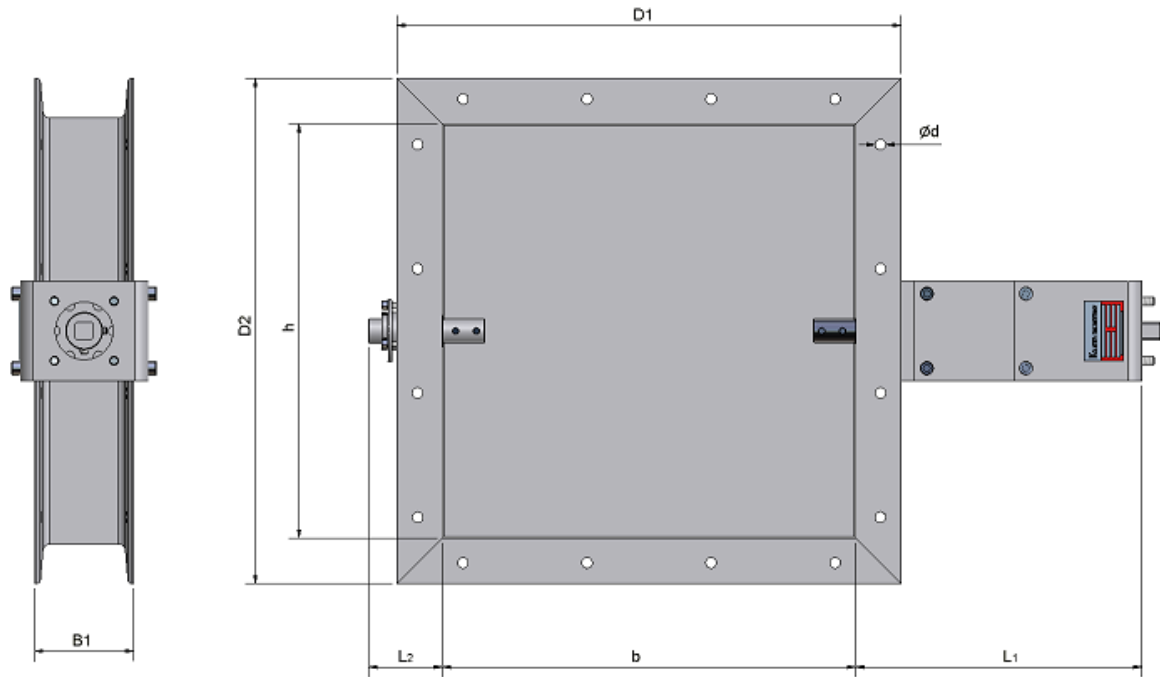
The right to changes are reserved.



**Kolster Hesa-tek A/S**  
Bøgballevej 19 • 8723 Løsning  
Tlf.: 76 75 89 50 • Fax: 76 75 89 51  
e-mail: [info@khtek.dk](mailto:info@khtek.dk) • [www.khtek.dk](http://www.khtek.dk)



## Price and size chart, type DSVK, square and rectangular



The basic size is shown here with a superstructure for a heating coupling.  
(L1) Depending on add-on modules.

Dimension for basic version in mm superstructure for a heating coupling							
b	h	D <sub>1</sub>	D <sub>2</sub>	ød	L <sub>1</sub>	L <sub>2</sub>	B
200 → 350	200 → 350	b+70	h+70	ø11	-	70	120
400 → 800	400 → 800	b+110	h+110	ø13	346	89	120
850 → 1200	850 → 1200	b+120	h+120	ø13	344	88	140

Price basic version				
b	h	Price DKr.	Surcharge b+50 mm	Surcharge h+50 mm
200	200	4.930,-	125,-	125,-
400	400	6.050,-	140,-	140,-
850	850	9.325,-	155,-	155,-

Prices are valid until the end of 2009, net, ex-factory.  
Delivery time down to 3 working weeks, directly from our production.

Contact Kolster Hesa-tek A / S for further information.

The right to changes are reserved.



**Kolster Hesa-tek A/S**  
Bøgballevej 19 • 8723 Løsning  
Tlf.: 76 75 89 50 • Fax: 76 75 89 51  
e-mail: [info@khtek.dk](mailto:info@khtek.dk) • [www.khtek.dk](http://www.khtek.dk)

